

GM-CDL2 Stainless Steel 316 Compression D Latch

Features

- Watertight
- Handle can be nested in either latched or unlatched position
- When handle is pressed down, pawl is raised to compress hatch
- Red dot on the handle indicates unlatched status and allows quick access
- Heavy duty 1/2" pawl shaft

Material

- Stainless steel 316

Notes

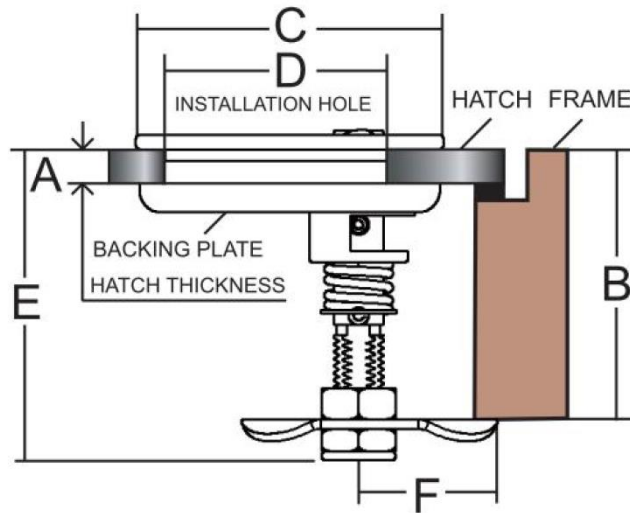
- Installation screws (size #8)
- Plastic washers for screws to prevent water penetration are included

Pawl: J121806



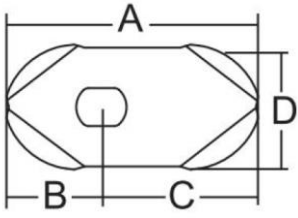
GM-CDL2-A407976-3

GM-CDL2-0407974



Part No.	Pawl	Type	A	B	C	D	E	F
GM-CDL2-A407974	J121806	Non-Locking	4	58 ~ 69	78	63.5	79	38.5
GM-CDL2-A407974-3	No			-				-
GM-CDL2-A407976	J121806	Locking		58 ~ 69				38.5
GM-CDL2-A407976-3	No			-				-

Optional Pawls

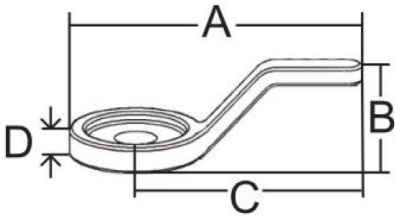


J121810



J121806

Part No.	A	B	C	D
J121806	64	25.5	38.5	31
J121810	92	39	53	31

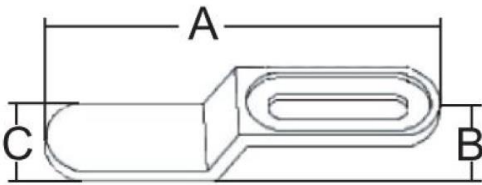


J121820



J121816

Part No.	A	B	C	D
J121816	83	25	69	8
J121820	67	27	53	9



Features

- 25 mm adjustable slot

Part No.	A	B	C
J121828	105.5	18	25